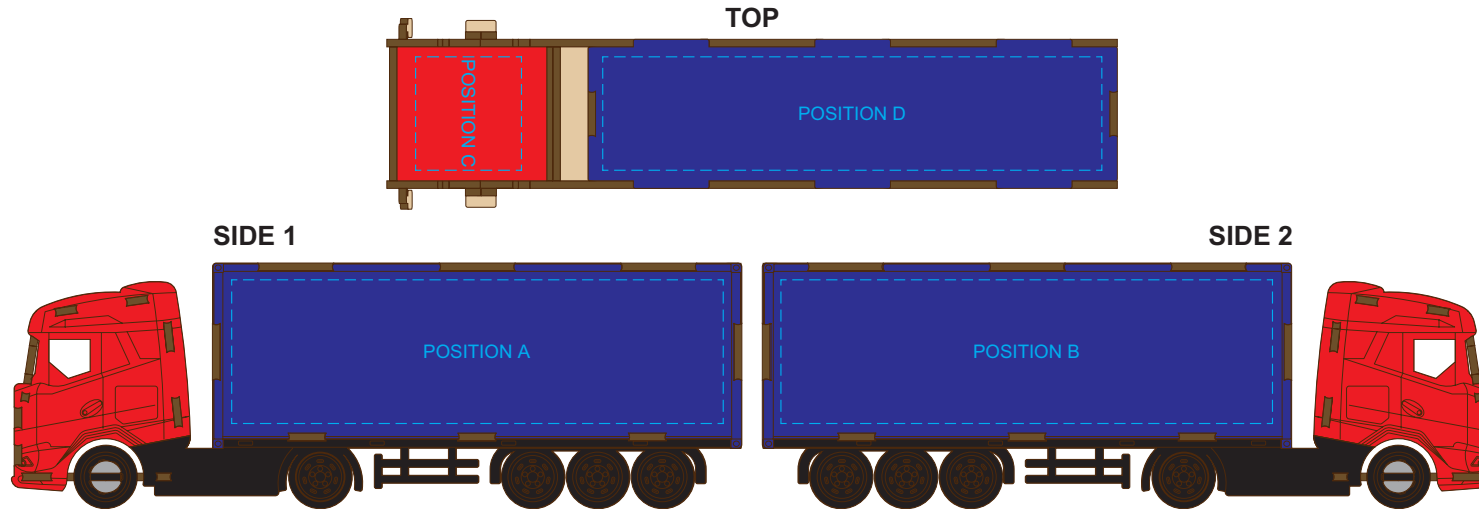


50% of Actual Size
Direct Digital

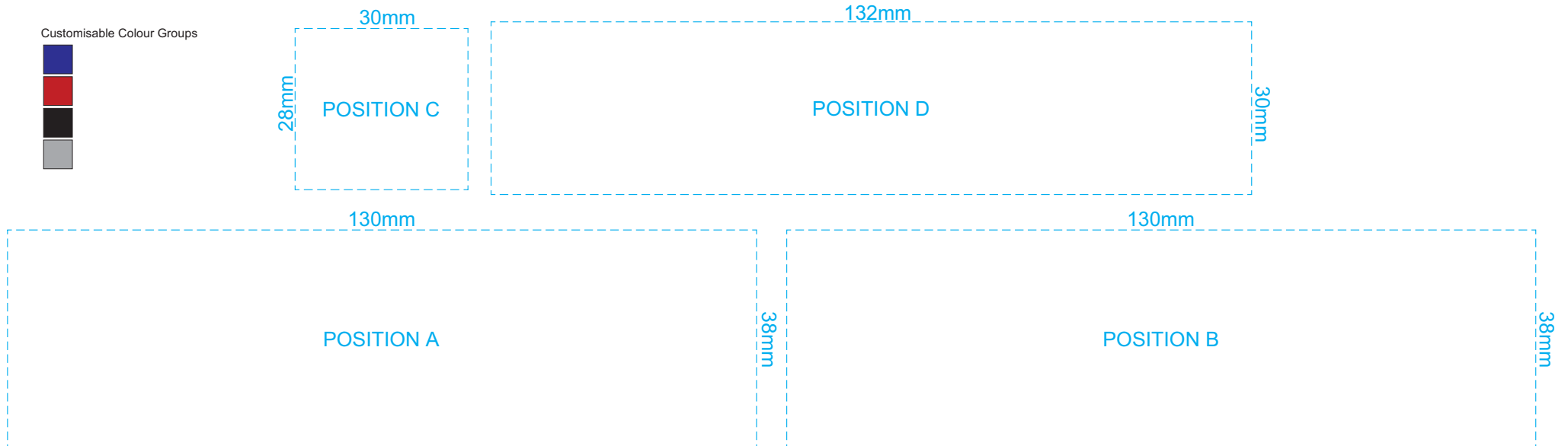


Up to a 2mm tolerance is expected for alignment of the printed artwork against the engraved lines.
Slight inconsistencies are to be considered acceptable if the artwork is printed over an engraved line.

Blue Line = Safe area for Arwork

100% of Actual Artwork Print Area

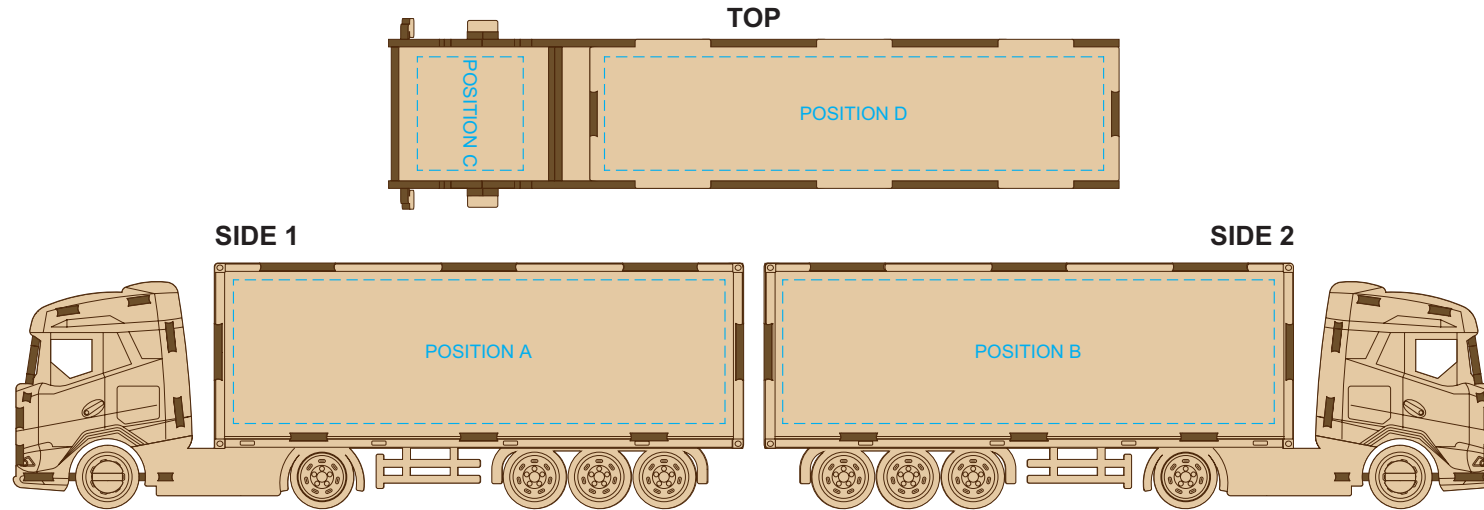
Customisable Colour Groups



BRANDING SPECIFICATION - Large Truck Wooden Model - 124033

Each colour group can be customised to any single colour. Please provide CMYK / PMS values (close matched) for each colour group or specify if solid colour fill is not required.
The product is provided flat packed in a cardboard sleeve with assembly instructions.

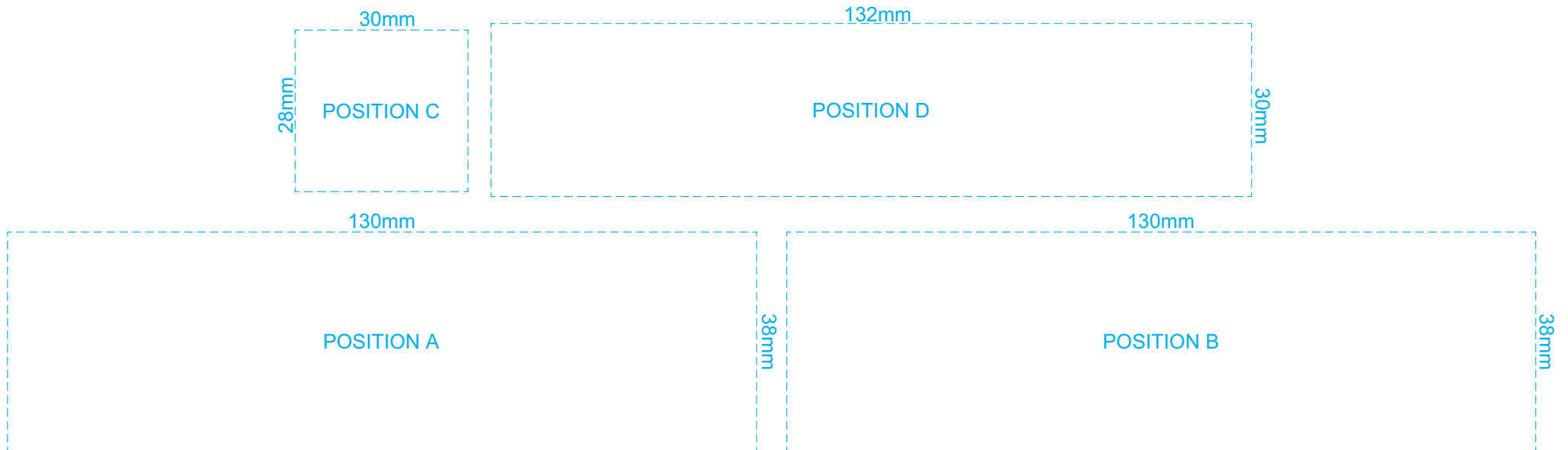
50% of Actual Size
Screen Print (One Colour)



Up to a 2mm tolerance is expected for alignment of the printed artwork against the engraved lines.
Slight inconsistencies are to be considered acceptable if the artwork is printed over an engraved line.

Blue Line = Safe area for Artwork

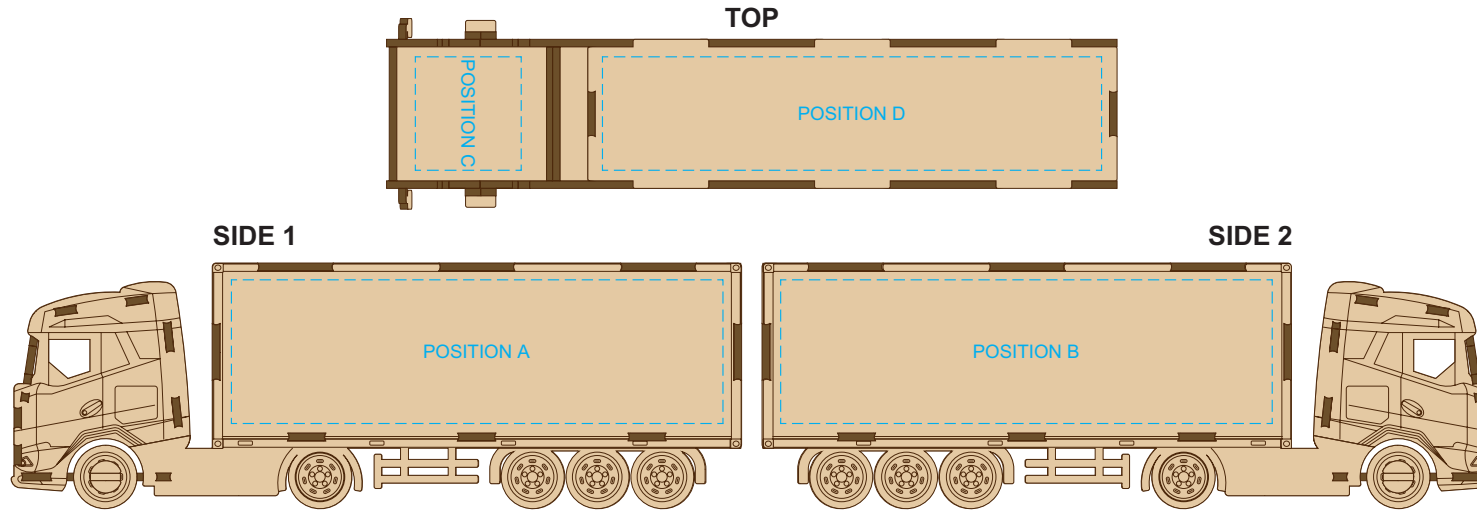
100% of Actual Artwork Print Area



BRANDING SPECIFICATION - Large Truck Wooden Model - 124033


This product is made from natural wood, therefore some slight colour variation are considered acceptable.
The product is provided flat packed in a cardboard sleeve with assembly instructions.

50% of Actual Size
Laser Engraving

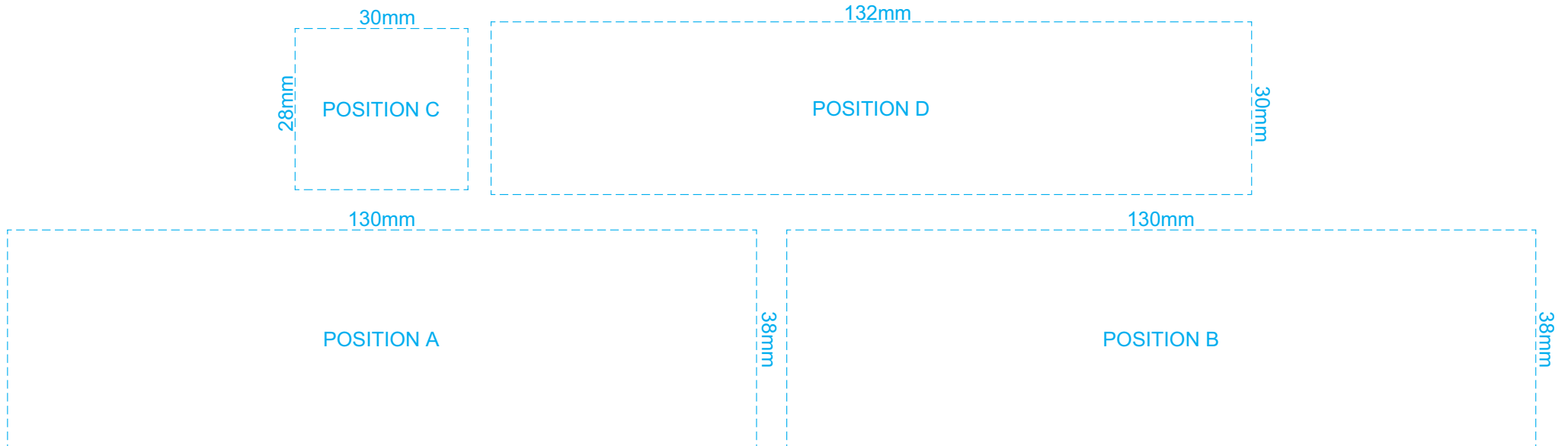


This product is a natural material, please allow for variances in grain pattern and engraving colour.
Up to a 2mm tolerance is expected for alignment of the printed artwork against the engraved lines.
Slight inconsistencies are to be considered acceptable if the artwork is printed over an engraved line.

Blue Line = Safe area for Arwork

 Laser engraves to a natural etch

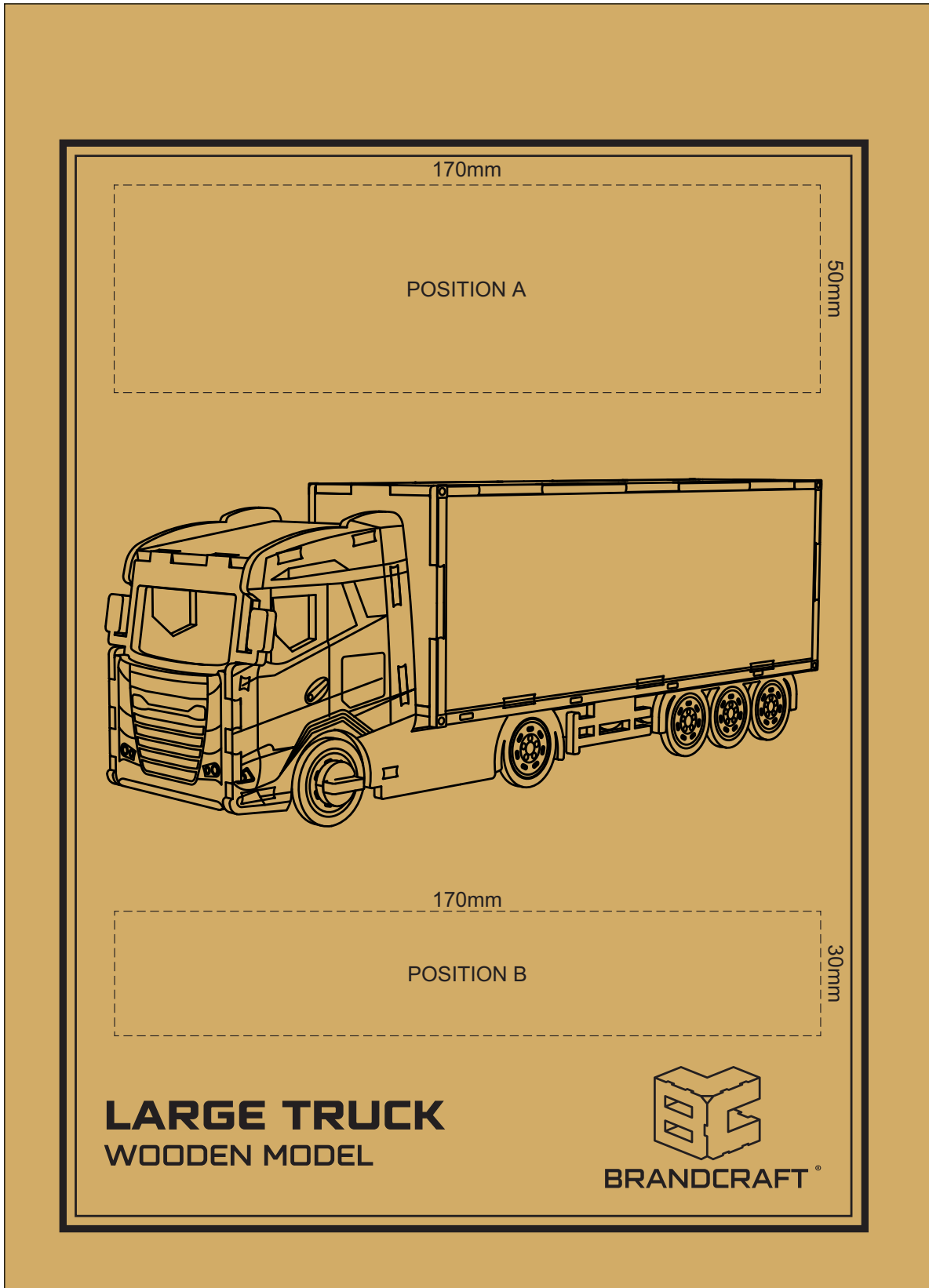
100% of Actual Artwork Print Area



BRANDING SPECIFICATION - Large Truck Wooden Model - 124033

This product is made from natural wood, therefore some slight colour variation are considered acceptable.
The product is provided flat packed in a cardboard sleeve with assembly instructions.

70% of Actual Size
Digital Packaging Print



Artwork will be printed directly onto the product via CMYK printing (no white)
Colours will not be vibrant due to white ink not being available for this process.